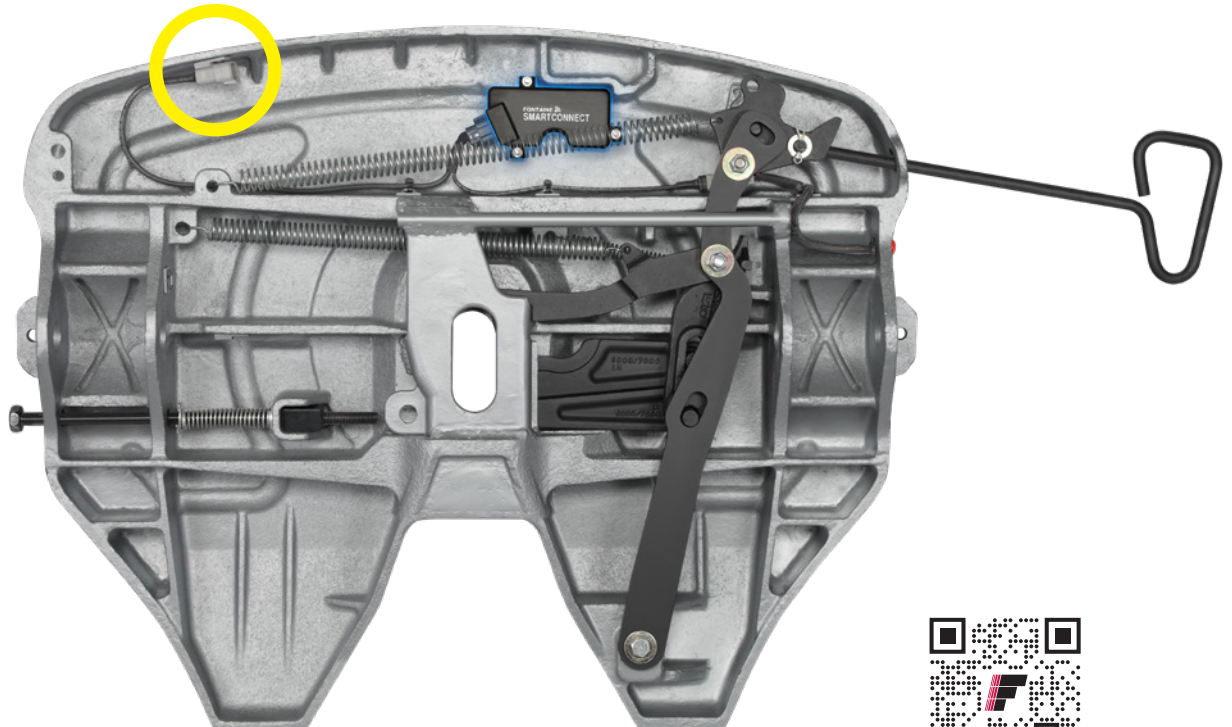


TB-079 • September 2024

Fontaine SmartConnect Installation Instructions for Power and Ground Connections

The Worlds First **Smart** Fifth Wheel



FONTAINE
SMARTCONNECT

Less guessing. More uptime.

CONTENTS

Important Safety Information

Section 1: SmartConnect System Summary

Section 2: Power Sources, Connecting the KIT-SC-PWR power harness to your vehicle

Refer to the Fontaine SmartConnect System User Guide for more detailed information on system function, capabilities, and troubleshooting guidance.

IMPORTANT SAFETY INFORMATION

The Fontaine SmartConnect and its components should be installed in accordance with the instructions in this guide. Proper installation is critical to ensure proper function and safe use of the device. Failure to do so may result in injury or death, damage to equipment, material, or property. Carefully read, understand, and follow all safety related information within this manual.


FONTAINE
FIFTH WHEEL

A Marmon | Berkshire Hathaway Company

3520 Industrial Way • Jasper, AL 35501 • www.fifthwheel.com • 800-874-9780 • Email: parts@fifthwheel.com

! WARNING

The Fontaine SmartConnect system is not a replacement for the driver's required pre-trip visual inspection of the fifth wheel and "tug test" and does not negate the need for the driver to follow all federal, state, and local laws and ordinances. The SmartConnect system is also not a replacement for the maintenance requirements and instructions found in the Fontaine user manual. Read and follow all product instructions before installation, use, and performing maintenance.

Section 1 – The Fontaine SmartConnect™ System

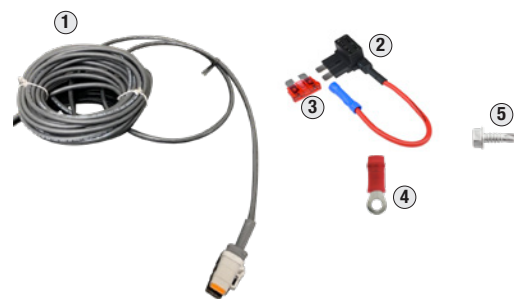
This literature is intended to provide information on the installation of Fontaine Fifth Wheel's SmartConnect system that is available for use with 6000, 7000 and 7000CC series fifth wheels. Fontaine's SmartConnect system indicates the state of the fifth wheel lock by monitoring the position of the fifth wheel's secondary lock using an electronic sensor. **[Note that the SmartConnect system DOES NOT detect the position of the kingpin or the locking jaw relative to the kingpin. This will continue to require driver inspection as per DOT pre-trip inspection requirements.]** After the coupling event, lock status is then provided to the driver via an LED indicator that is located on the side of the fifth wheel. The LED display on the side of the fifth wheel illuminates green upon successful coupling (locked) or red to warn the driver that the fifth wheel is not successfully coupled (unlocked).

Section 2 - Connecting the SmartConnect System to your tractor

The basic aftermarket installation will require a Fontaine Fifth Wheel KIT-SC-PWR to connect the fifth wheel to the tractor cab. This kit will be used to supply power from the tractor's main fuse panel to the SmartConnect System. There is no CAN bus functionality to the tractor with this cabling option. If a truck manufacturer has integrated the system into their in-cab displays, a different cable and connectors may be needed and will be supplied by the truck manufacturer. Refer to the operator's manual or truck manufacturer for the relevant information.

Fontaine SmartConnect **KIT-SC-PWR** contents:

	Parts provided in KIT-SC-PWR	QTY
①	31' power harness with fifth wheel connector	1
②	ATM fuse tap (add-a-circuit adapter)	1
③	3-amp ATM fuse installed into fuse tap	1
④	22-16AWG #10 Ring Terminal	1
⑤	#10-16 Self-drilling screw	1



! WARNING

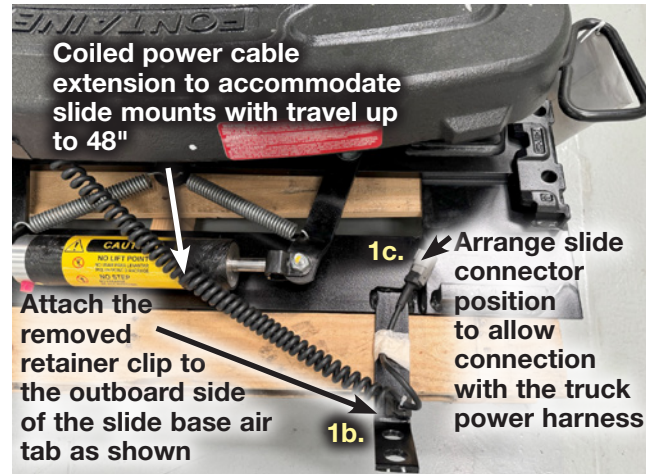
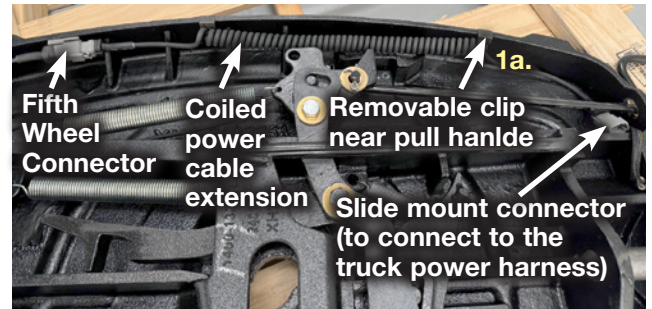
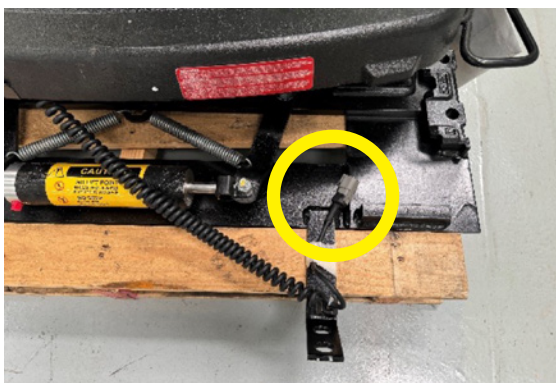
Exercise caution when working with vehicle power sources to avoid injury.

Connect the power harness to the fifth wheel and route the power harness cable:

1. Locate the SmartConnect connector under the skirt of the fifth wheel or at the air tab of the slide base as shown below. The harness connector will connect to this fifth wheel side connector when installation is complete.



NOTE: If you received a SmartConnect replacement top plate that **includes an installed coiled power cable for mounting to a sliding fifth wheel mount**, follow these procedures for installing the coiled cable onto the slide base:



- 1a. Remove the retainer clip closest to the pull handle of the fifth wheel to free the slide mount connector end of the coiled cable.
- 1b. Secure the retainer clip onto the slide mount air tab as shown
- 1c. Connect the truck power harness to the slide mounted connector

Continues



TB-079 • September 2024

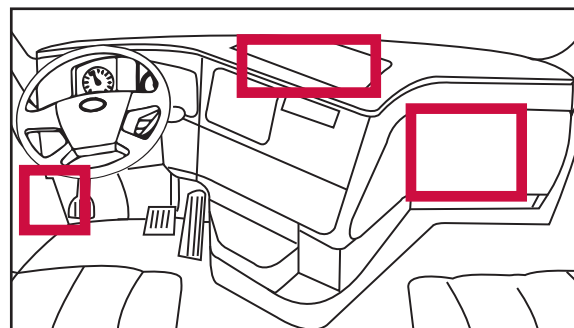
2. Route the SmartConnect power harness cable along the chassis and into the cab of the tractor:
 - a. Uncoil and detangle the power harness.
 - b. Route the power harness cable along existing wiring routes under the chassis and secure the cable with zip ties a minimum of every 16 inches.
 - c. Locate existing access holes in the floor of the cab to pass the power harness into the cab.
 - Ensure that the cable is located to avoid foot traffic and being bent or crushed.
 - A rubber grommet should be used in the access hole to avoid cable contact with sharp metal edges.
 - d. Route the harness behind the dash and to the fuse box of the tractor.
 - Ensure that the cable does not interfere with other components.
 - Loop excess cable and secure with a zip tie behind the dash or trim of the cab interior.

Note when routing the cables:

Ensure that the coiled cable is routed away from tractor drive components and potential pinch points during operation. Avoid contact with sharp edges and heat sources. Do not stretch the cable harness or put tight bends in the cable when routing.

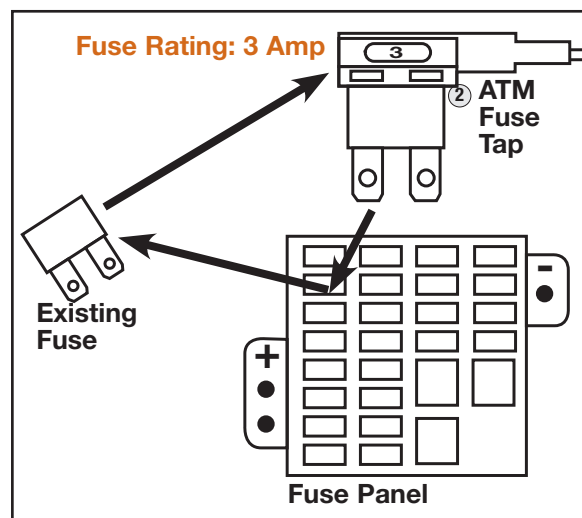
Ensure that there is adequate slack in the power cable to accommodate fifth wheel articulation and movement.

On a slide base assembly, do not run the coiled power cable inside the coiled air tubing, ensure that the power cable coil is free to expand and retract when sliding the fifth wheel on the chassis.



Install the power harness into the fuse panel of the vehicle:

3. Locate the fuse panel on your tractor. Common locations may be as shown below:
 - Select a fuse that is on a truck ignition circuit.
 - Remove the selected fuse from the panel if a fuse is installed.
 - Insert the removed fuse into the add-a-circuit fuse tap.



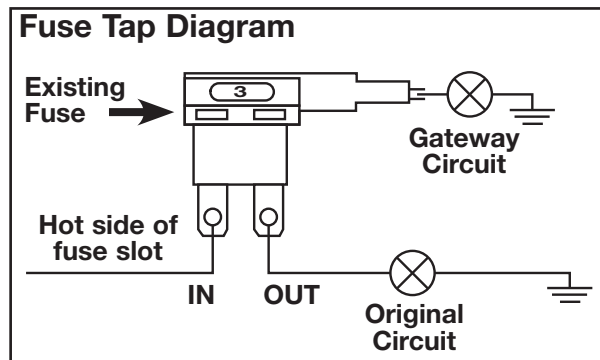
! WARNING
 The positive wire of the power cable must be fused. An un-fused power cable may over-heat and lead to vehicle fire.

Continues



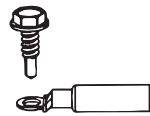
TB-079 • September 2024

- Insert the add-a-circuit fuse tap into the selected fuse slot oriented as shown in the diagram below.
- Attached the ground wire to an existing ground stud or with the provided self-tapping screw.



Ground Connection

Attach the ground connection to an existing vehicle ground stud or use the included self tapping screw to attach to a clean corrosion free, bare piece of metal.



4. Connect the fifth wheel connector and turn the tractor ignition to the "ON" position. The SmartConnect should respond with a red light if the fifth wheel is open or a green light if the fifth wheel is closed on a kingpin within 10 seconds of ignition power on.

This completes installation of the Fontaine SmartConnect System for power and ground connection within the tractor fuse compartment.

Refer to the Fontaine SmartConnect User Guide TB-077 for operation and troubleshooting information.

If you have any additional questions regarding The Fontaine SmartConnect™ System please visit the Fontaine Fifth Wheel web site using the link below or call 800-874-9780 for additional technical support.
<https://fifthwheel.com/thankyou>